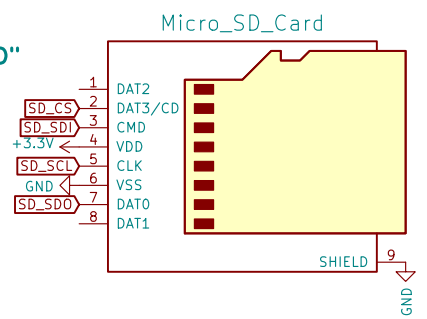
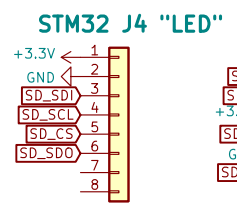
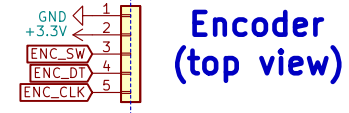
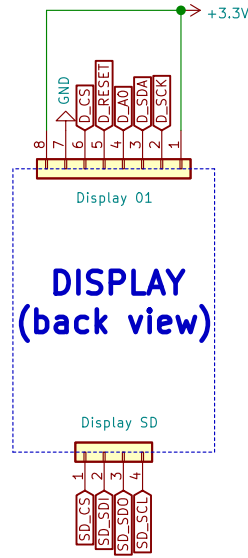
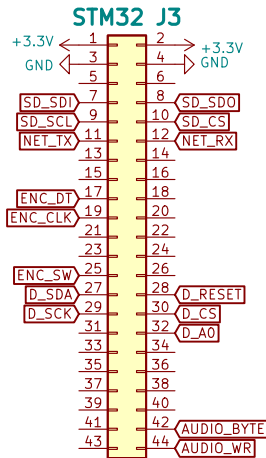


# STM32 J2 -> to Gryphon MPI board



Display (red one with lion): <https://aliexpress.com/item/1005001612379136.html>  
 Encoder: <https://aliexpress.com/item/1005001621899401.html>

STM32 board connections  
 gryphon@night-gryphon.ru  
 by **Night Gryphon**

Sheet: /  
 File: STM32\_Board\_Connections\_2.sch

**Title: Gryphon MPI**

Size: A4	Date:	<b>Rev: 1.0</b>
KiCad E.D.A. eeschema (5.1.9)-1		Id: 1/1